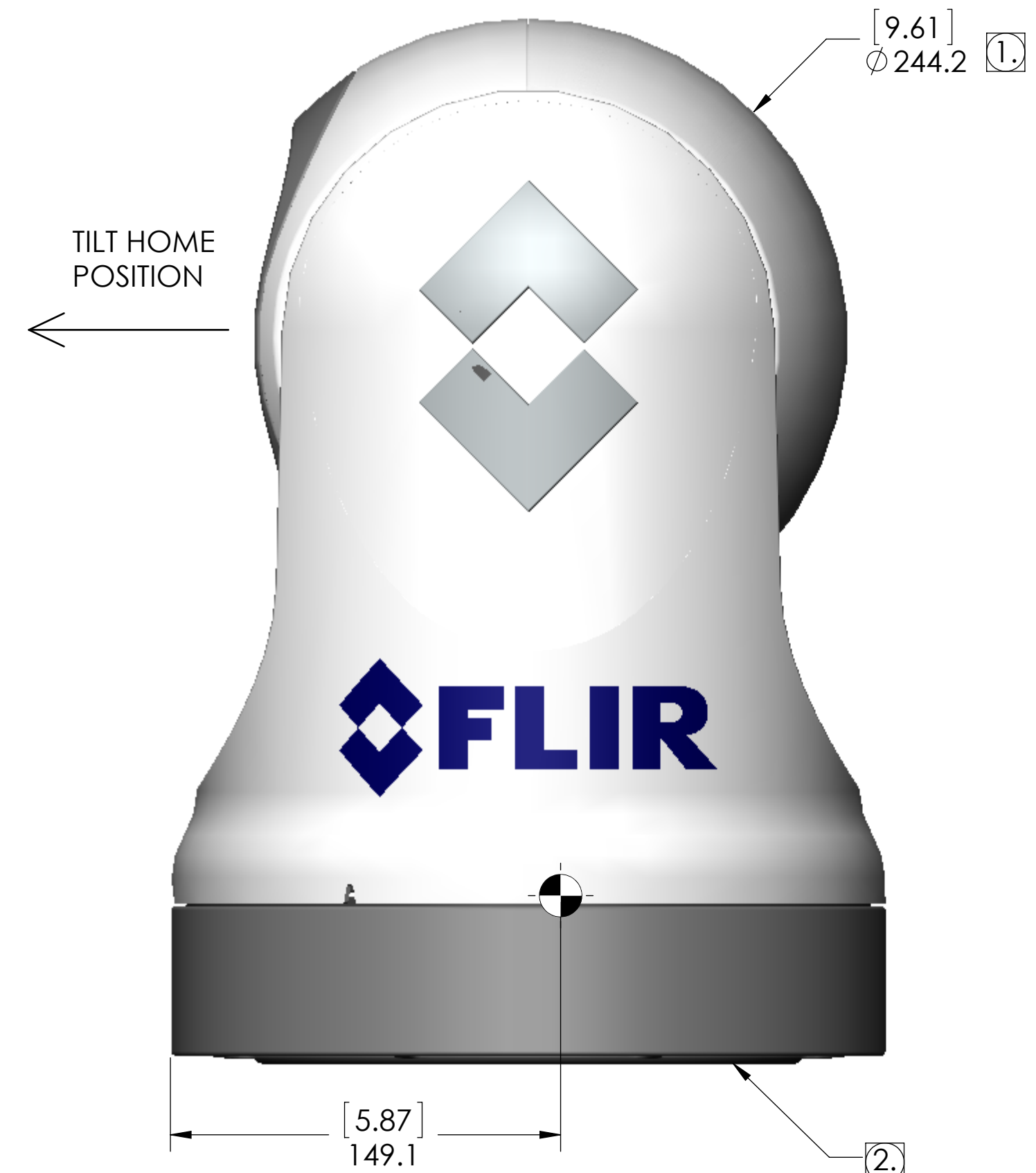
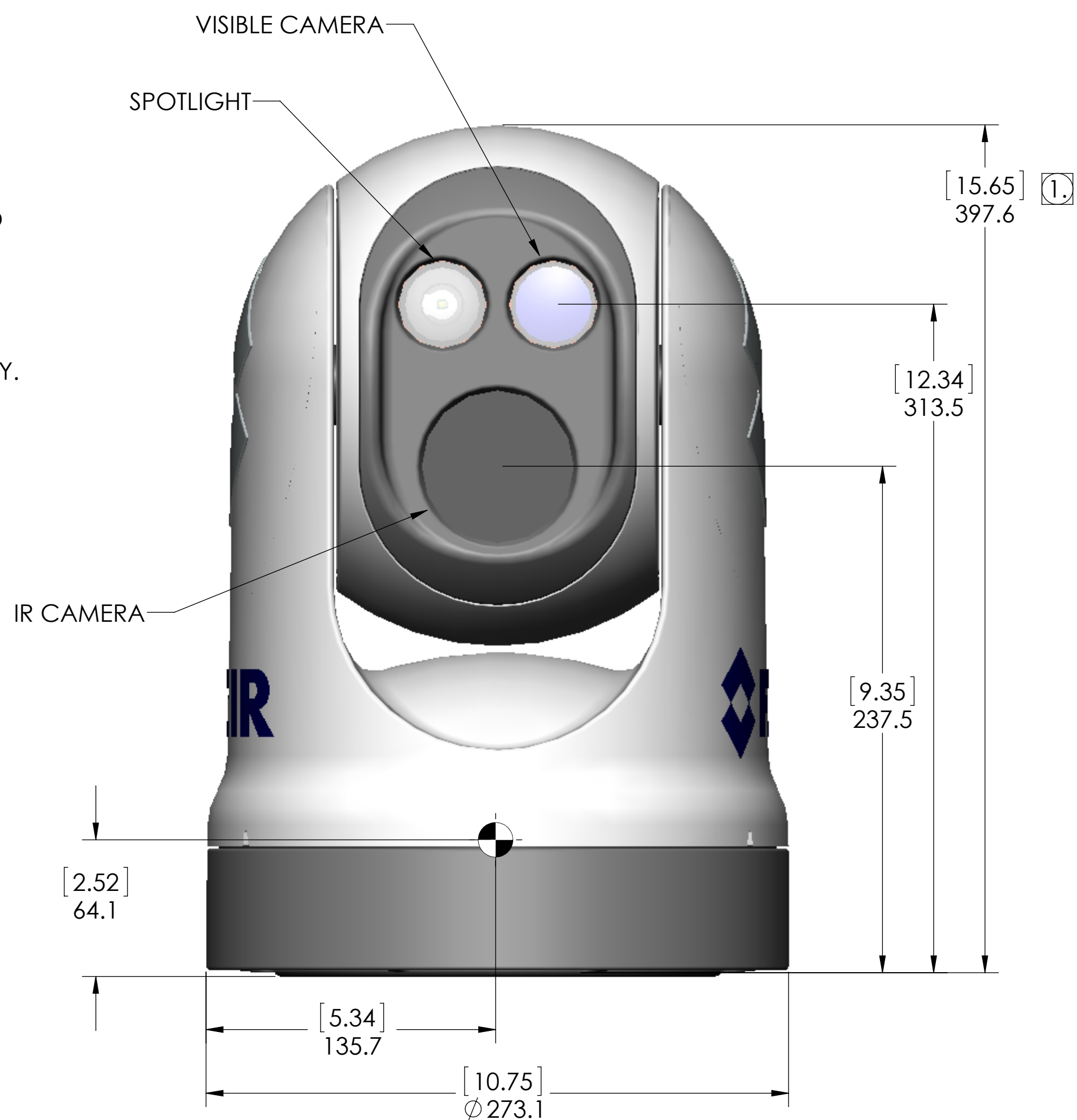


NOTES: UNLESS OTHERWISE SPECIFIED

- ① CLEARANCE REQUIRED FOR FREE MOTION OF SYSTEM.
- ② O-RING USED FOR SEALING SYSTEM TO MOUNTING STRUCTURE. STANDALONE UNIT MEETS IPX6 SEALING SPECIFICATION. MINIMUM MOUNTING SURFACE FLATNESS OF 1.5mm [0.060in] OVER SYSTEM DIAMETER REQUIRED FOR O-RING USE. WHEN MOUNTING TO IRREGULAR SURFACES, USE OF BEDDING COMPOUND RECOMMENDED.
- ③ USE WITH FLIR MOUNTING HARDWARE KITS
- 4. USE LOCTITE 262 WITH ALL METAL TO METAL THREADED CONNECTIONS THAT DO NOT HAVE LOCKING PATCHES.
- ⑤ **WARNING**  
DO NOT BOTTOM FASTENERS IN BASE.  
BOLT LENGTH NOT TO EXCEED 6MM INTO BASE.  
ELECTRONICS WILL BE DAMAGED BY BASE PENETRATION - VOIDING WARRANTY.  
BOLT TORQUE NOT TO EXCEED 9.5N-m [7 lb-ft].

REVISIONS				
ZONE	REV	DESCRIPTION	DATE	APPROVED
	100	PRODUCTION RELEASE PER ECN 126678	9/15/2015	
	110	REVISED PER ECN 127315	10/21/2015	

### M400



[8.86]  $\phi$  225.0 MIN BASE PLATE DIAMETER FOR EFFECTIVE O-RING SEAL

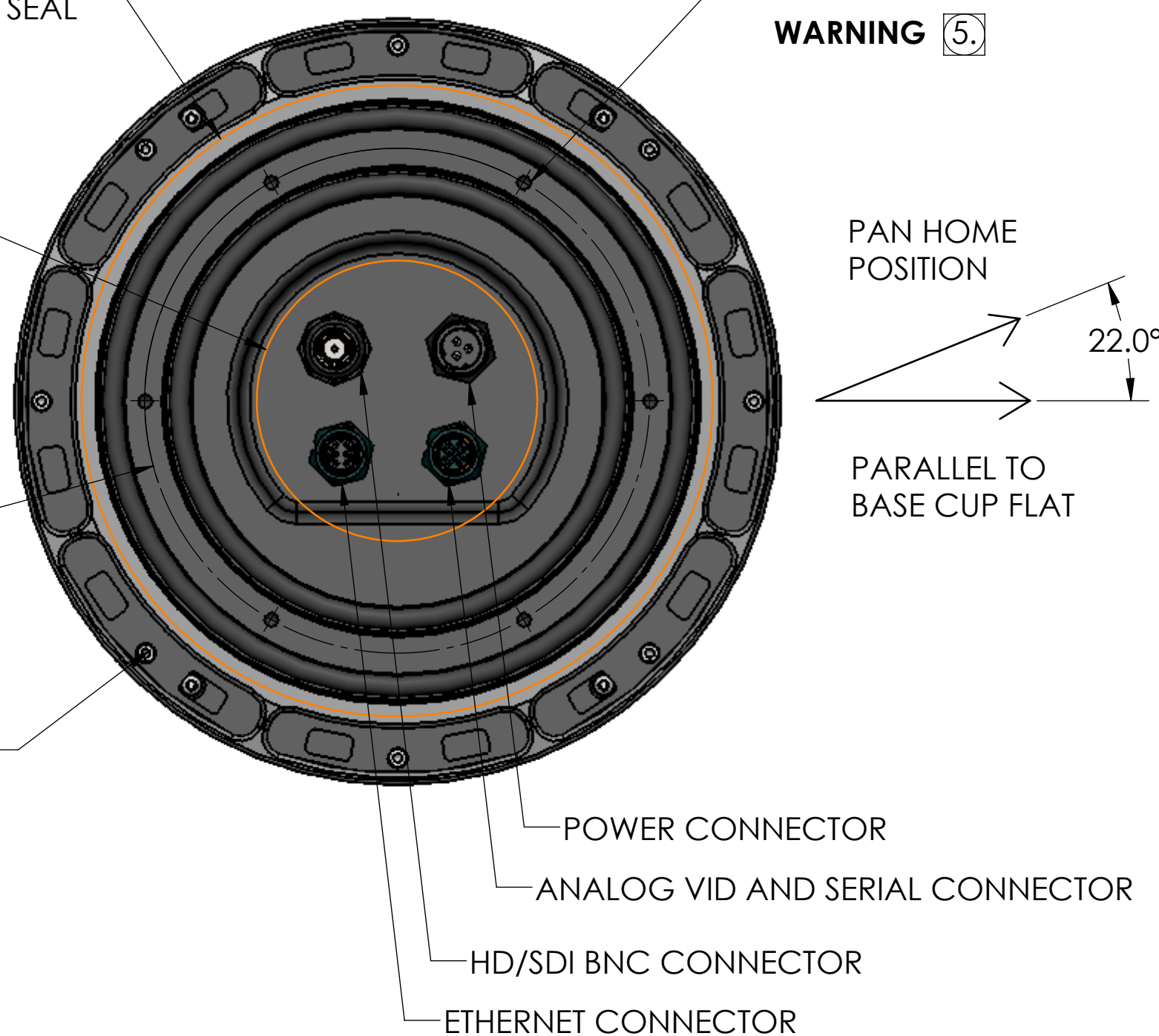
6X M6X1.0  $\nabla$  10 ③

**WARNING** ⑤

CABLE PORT DIMENSIONS DEPEND ON MOUNTING SOLUTION AND CABLE TYPE. SEE SHEETS 2 AND 3 FOR DETAILS.

[7.09]  $\phi$  180.0 BOLT CIRCLE

WARRANTY VOID IF SCREWS REMOVED



AS568A-436 EPDM O-RING  
[5.85in ID x .275in DIA]  
149mm ID x 7mm DIA

AS658A-444 EPDM O-RING  
[7.72in ID x .275in DIA]  
196mm ID x 7mm DIA

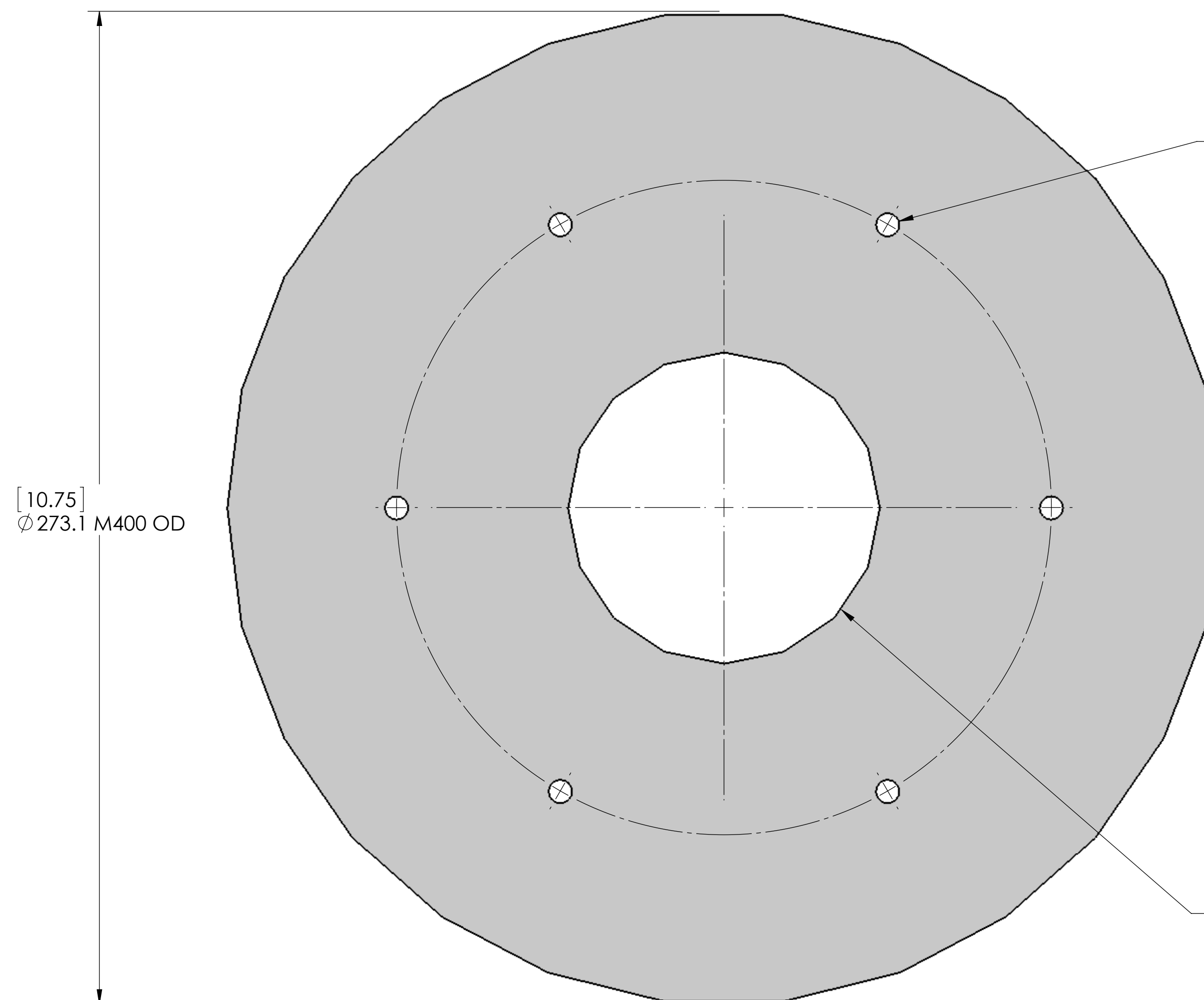
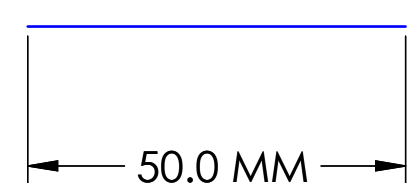
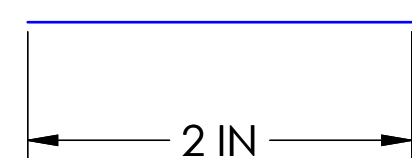
THIRD ANGLE PROJECTION		PROPRIETARY - FLIR SYSTEMS, INC.			
		THIS DOCUMENT CONTAINS PROPRIETARY INFORMATION TO FLIR SYSTEMS, INC. THIS INFORMATION MUST BE MAINTAINED IN CONFIDENCE AND USED ONLY IN A MANNER CONSISTENT WITH THE DOCUMENTATION AND ANY EXECUTED NON DISCLOSURE AGREEMENT, AND MAY NOT BE DISCLOSED TO ANY THIRD PERSON WITHOUT FLIR'S WRITTEN CONSENT.			
<p>METRIC</p> <p>INTERPRET DRAWING PER ASME Y14.5M-1994</p> <p>UNLESS OTHERWISE SPECIFIED SURFACE ROUGHNESS .8 <math>\mu</math>m</p> <p>X = <math>\pm</math> .25</p> <p>XX = <math>\pm</math> .13</p> <p>ANGULAR = <math>\pm</math> .5°</p> <p>FILLET RADII = .13 MAX</p>		<p>MATERIAL</p> <p>N/A</p>		<p>PROJECT NO.</p> <p>APPROVALS DATE</p> <p>DWN K. MONCINO 5/7/2015</p>	
<p>FINISH</p> <p>N/A</p>		<p>UNLESS OTHERWISE SPECIFIED ALL MEASUREMENTS ARE IN MM. ALL DIMENSIONS IN ( ) ARE INCHES. DO NOT SCALE DRAWING.</p>		<p>FLIR Systems, Inc. 70 Castilian Drive Goleta, CA 93117</p>	
<p>UNLESS OTHERWISE SPECIFIED ALL MEASUREMENTS ARE IN MM. ALL DIMENSIONS IN ( ) ARE INCHES. DO NOT SCALE DRAWING.</p>		<p>ENG K. MONCINO 5/7/2015</p>		<p>TITLE</p> <p><b>M400 ICD</b></p>	
<p>SCALE 1:1</p>		<p>SIZE D</p> <p>CAGE 064Y2</p>		<p>DWG NO. <b>432-0012-XX-41</b> REV 110</p>	
<p>PRINTED: 10/21/2015</p>		<p>APP</p>		<p>SHEET 1 OF 10</p>	
<p>SOLIDWORKS MODEL: 432-0012-XX-YY TOP LEVEL ASSEMBLY, MARLIN MODEL REVISION: 110</p>					

IMPORNTANT NOTE:

PAPER SIZE: 22x34in  
TEMPLATE SHOULD PRINT 1:1

DUE TO VARIATION IN SOFTWARE AND PRINTERS, PLEASE  
VERIFY SCALE BELOW BEFORE MODIFYING MOUNTING  
SURFACE.

ENSURE PRINTER MARGINS ARE SET TO ZERO AND SCALE  
IS 100%



[.25]  
6X  $\phi$  6.4 THRU HOLE  
EQUALLY SPACED ON  
 $\phi$  180 [7.09] BOLT CIRCLE

[10.75]  
 $\phi$  273.1 M400 OD

DECK PORT CABLE CLEARANCE  
 $\phi$  85.7 [3 3/8] MIN  
 $\phi$  130.0 [5.12] MAX  
RIGHT ANGLED CABLES NOT RECOMMENDED  
FOR MOUNTING SURFACES >10MM THICK.  
IF MOUNTING SURFACE IS >10MM THICK, USE  
STRAIGHT CABLES OR MOUNT TO TOP DOWN RISER

D

C

B

A

D

C

B

A

DWG NO. 432-0012-XX-41 SH 2 REV 110

TOP LEVEL ASSEMBLY  
M400

METRIC

PROPRIETARY - FLIR SYSTEMS, INC.

BASE CUP MOUNTING TEMPLATE



FLIR Systems, Inc.  
70 Castilian Drive  
Goleta, CA 93117

SIZE	CAGE	PIECE PART	REV
D	064Y2	432-0012-XX-41	110
SCALE	1:1	PRINTED: 10/21/2015	SHEET 2 OF 10

SOLIDWORKS MODEL: 432-0012-XX-YY TOP LEVEL ASSEMBLY, MARLIN  
MODEL REVISION: 110

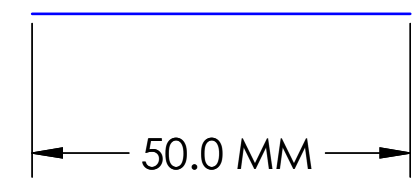
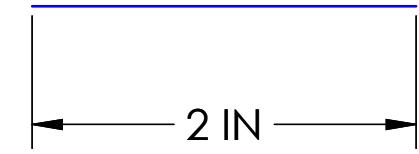


IMPORNTANT NOTE:

PAPER SIZE: 22x34in  
TEMPLATE SHOULD PRINT 1:1

DUE TO VARIATION IN SOFTWARE AND PRINTERS, PLEASE  
VERIFY SCALE BELOW BEFORE MODIFYING MOUNTING  
SURFACE.

ENSURE PRINTER MARGINS ARE SET TO ZERO AND SCALE  
IS 100%



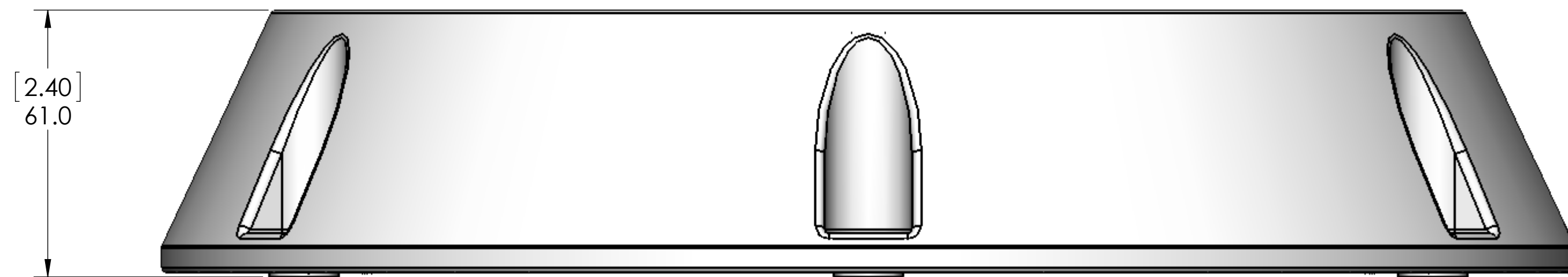
[12.75]  
Ø 323.9  
TOP DOWN RISER OD

[11.75]  
Ø 298.5  
TOP DOWN RISER BOLT CIRCLE

[.32]  
6X Ø 8.2 RISER CLEARANCE HOLES  
RECOMMENDED:  
M8 SOCKET HEAD CAP SCREWS, OR  
5/16" - 18 SOCKET HEAD CAP SCREWS, OR  
5/16" - 18 HEX HEAD SHEET METAL SCREWS  
TYPE AND LENGTH DEPENDANT ON MOUNTING SURFACE  
316 STAINLESS STEEL  
APPLY THREAD LOCKER (LOCTITE 262 OR EQUIVALENT)

[4.79]  
Ø 121.6 RISER CABLE CLEARANCE HOLE  
RECOMMENDED DECK PORT:  
Ø 30.0 [1.18] MIN  
Ø 130.0 [5.12] MAX

[7.09]  
Ø 180.0  
MARLIN BASE CUP HOLE CIRCLE



TOP DOWN RISER MOUNTING TEMPLATE

TOP LEVEL ASSEMBLY  
M400

METRIC

PROPRIETARY - FLIR SYSTEMS, INC.



FLIR Systems, Inc.  
70 Castilian Drive  
Goleta, CA 93117

SIZE  
D

CAGE  
064Y2

PIECE PART  
432-0012-XX-41

REV  
110

SCALE 1:1 PRINTED: 10/21/2015 SHEET 3 OF 10

SOLIDWORKS MODEL: 432-0012-XX-YY TOP LEVEL ASSEMBLY, MARLIN  
MODEL REVISION: 110

D

C

B

A

DWG NO. 432-0012-XX-41 SH 3 REV 110

D

C

B

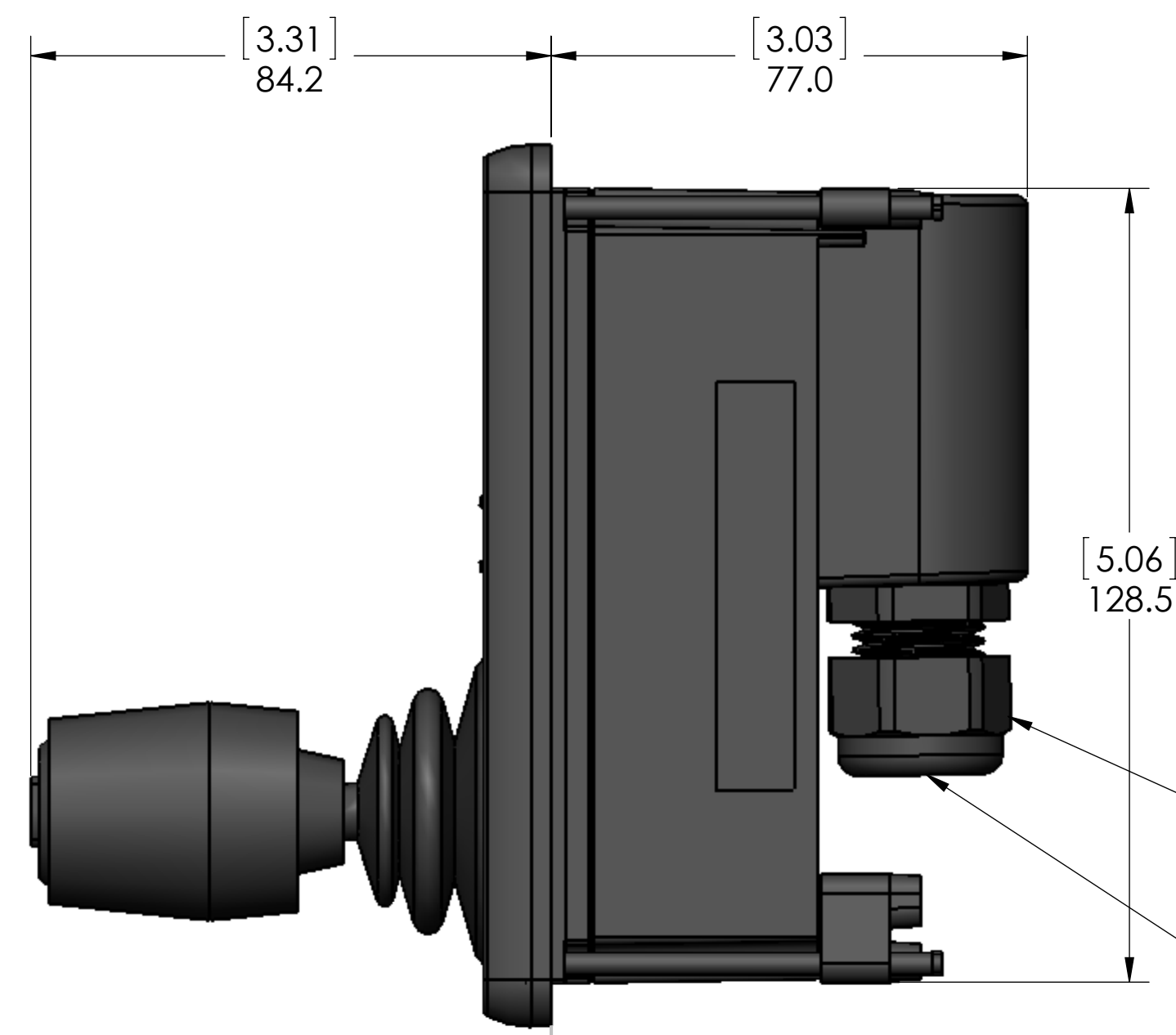
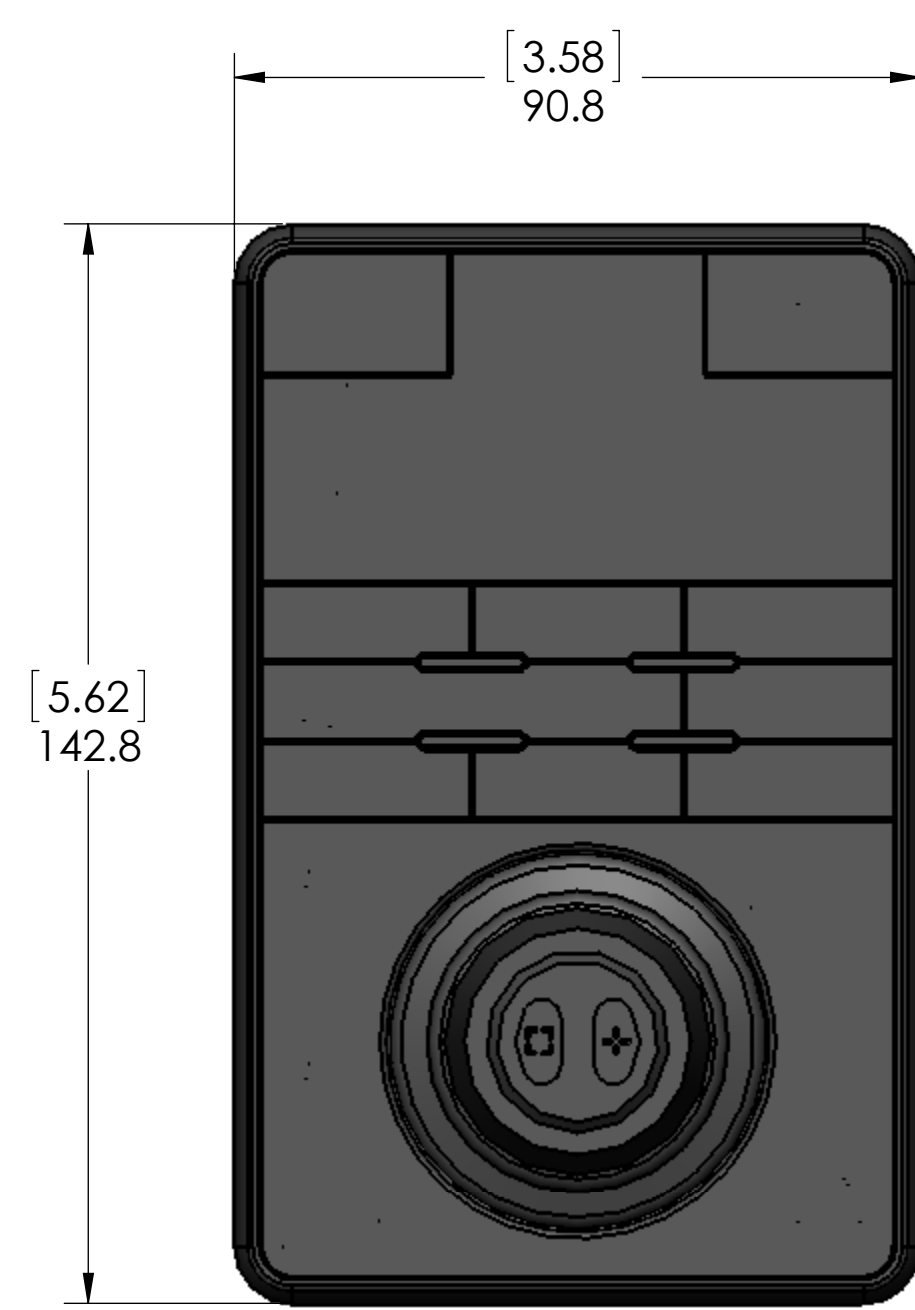
A

D

C

B

A



WITH CABLE INSTALLED, TURN NUT 1/4 TURN BEYOND HAND TIGHT.

GLAND SEAL DESIGNED FOR USE WITH DOUBLE SHIELDED CAT 5 ETHERNET CABLE. USE OF SINGL SHIELDED CABLE MAY REQUIRE THE USE OF ADDITIONAL SEALANT SUCH AS SILICON OR RTV TO ENSURE SEALING OF ENCLOSURE

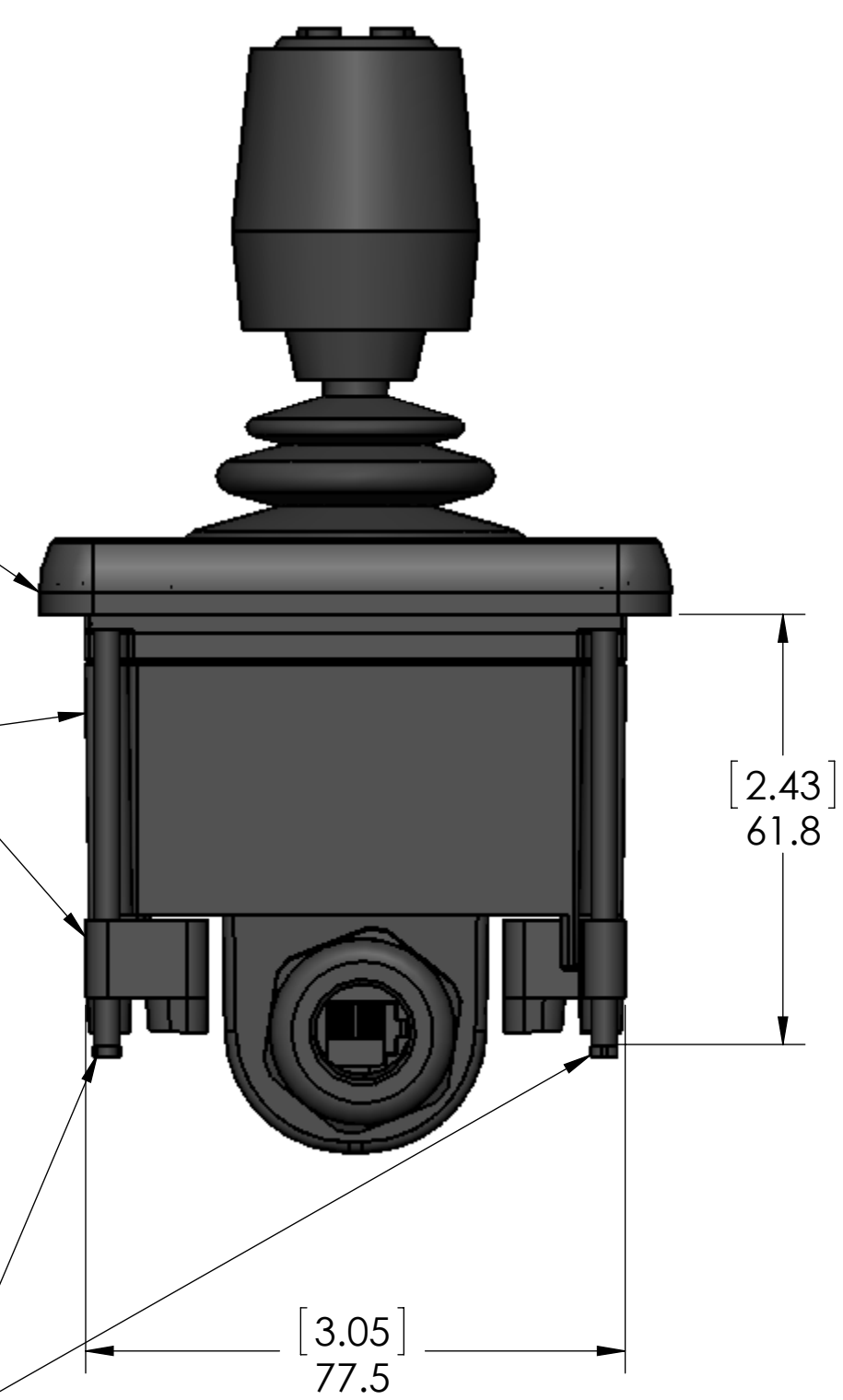
INSERT NETWORK CABLE RJ45 THROUGH GLAND NUT AND SEAL BEFORE INSTALLING

IP66 RATED ABOVE GASKET.

IP64 RATED BEHIND GASKET.

APPLY ADHESIVE SIDE OF GASKET TO JCU BODY.

MOUNTING PANEL THICKNESS RANGE 1.6-45 [0.036-1.750]. WHEN MOUNTING TO PANEL LESS THAN 6.3 [0.25] REVERSE PADDLES.



DURING INITIAL TIGHTENING, ENSURE MOUNTING TABS ON SCREWS SWING FREE OF REAR OUSING. WITH TABS RUN UP AGAINST REAR OF INSTRUMENT PANEL, TIGHTEN 1/4 - 1/2 TURN BEYOND HAND TIGHT.

### 500-0398-10 MARITIME JCU

### TOP LEVEL ASSEMBLY M400

METRIC

PROPRIETARY - FLIR SYSTEMS, INC.



FLIR Systems, Inc.  
70 Castilian Drive  
Goleta, CA 93117

SIZE D

CAGE 064Y2

PIECE PART 432-0012-XX-41 REV 110

SCALE 1:1 PRINTED: 10/21/2015 SHEET 4 OF 10  
SOLIDWORKS MODEL: 432-0012-XX-YY TOP LEVEL ASSEMBLY, MARIM MODEL REVISION: 110

IMPORNTANT NOTE:

PAPER SIZE: 11x17in  
TEMPLATE SHOULD PRINT 1:1

DUE TO VARIATION IN SOFTWARE AND PRINTERS, PLEASE  
VERIFY SCALE BELOW BEFORE MODIFYING MOUNTING  
SURFACE.

ENSURE PRINTER MARGINS ARE SET TO ZERO AND SCALE  
IS 100%

CORNERS SHALL  
BE SHARP.

[2.85]  
72.3  
OPTIONAL  
DRILL GUIDE

[4.85]  
123.1  
OPTIONAL  
DRILL GUIDE

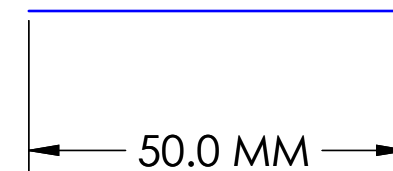
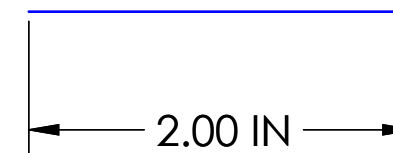
[5.10±.05]  
129.5±1.3  
CUTOUT

[5.57]  
141.4  
OUTSIDE  
OF JCU

[.25]  
Ø 6.4

[3.10±.05]  
78.7±1.3  
CUTOUT

[3.56]  
90.4  
OUTSIDE  
OF JCU



TOP LEVEL ASSEMBLY  
M400

METRIC

PROPRIETARY - FLIR SYSTEMS, INC.

500-0398-10 MARITIME JCU  
MOUNTING PATTERN



FLIR Systems, Inc.  
70 Castilian Drive  
Goleta, CA 93117

SIZE B	CAGE 064Y2	DWG NO. 432-0012-XX-41	REV 110
SCALE 1:1		PRINTED: 10/21/2015 SHEET 5 OF 10	



NOTE: CABLE CONFIGURATIONS SHOWN ARE FOR SHORT CABLES INCLUDED WITH EACH UNIT. LONG ACCESSORY CABLES ARE AVAILABLE WHERE NO IN-LINE COUPLING IS NECESSARY. FOR MORE INFORMATION, SEE SHEET 9

M400



JCU

JCU

FLIR PN 500-0398-10

POWER CABLE  
12AWG TINNED STRANDED WIRE  
RED WIRE: +12-24 VDC (4.4-2.2 AMP NOM)  
BLK WIRE: DC RETURN  
DRAIN WIRE: EARTH GROUND

BUTT SPLICE OR INSTALLER SUPPLIED CONNECTOR

INSTALLER SUPPLIED POWER CABLE  
GAUGE OF WIRE TO BE APPROPRIATE FOR SUPPLY VOLTAGE AND LENGTH OF CABLE RUN TO ENSURE ADEQUATE CURRENT CARRYING CAPABILITY.

CONNECTOR  
RJ45 WATERPROOF ENCLOSURE  
FLIR PN 4115028

(100M RUN LENGTH MAX WITHOUT BUFFER)

MANUFACTURER SPECIFIC ENVIRONMENTAL EXPOSURE RATINGS APPLY

POE NETWORK SWITCH  
IEEE802.3af, T568B COMPLIANT  
FLIR PN 4141042

HD/SDI CABLE - RG6 BNC

ISOLATION TRANSFORMER  
BNC FEMALE TO FEMALE

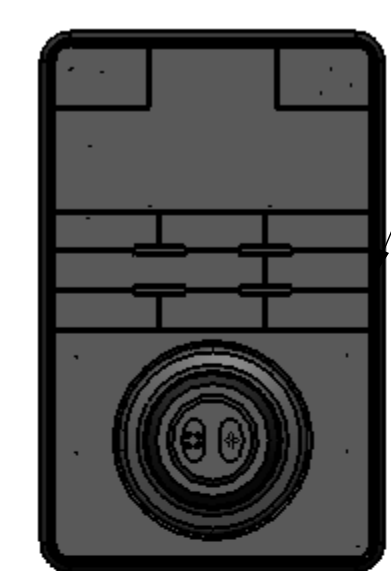
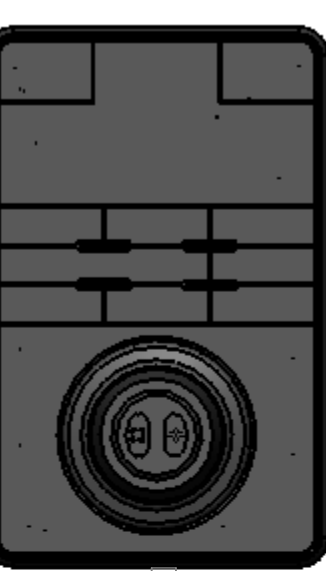
COUPLER  
F-TYPE FEMALE TO FEMALE

ANALOG VIDEO CABLE  
RG179 F-TYPE

HD/SDI CABLE  
(100FT RUN LENGTH MAX WITHOUT BUFFER)

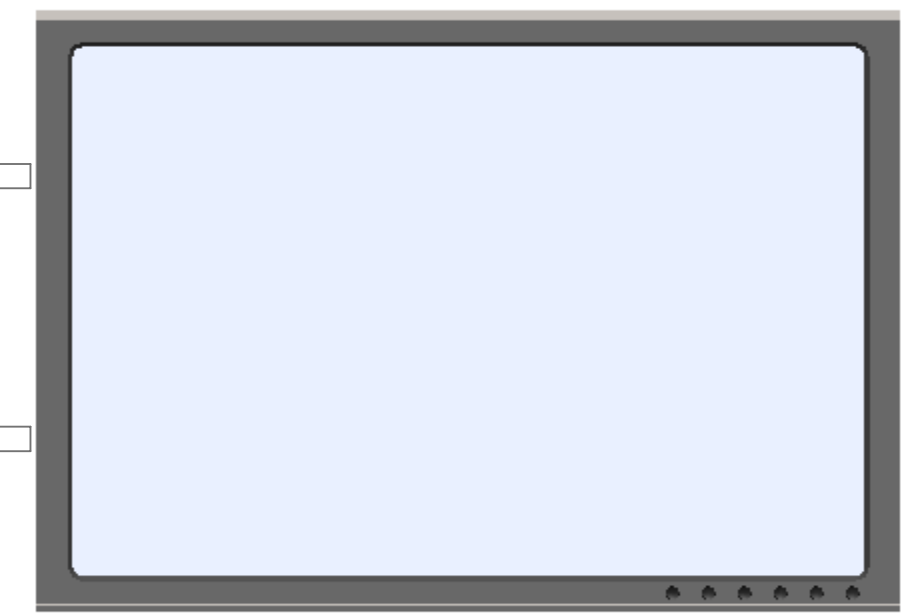
ANALOG VIDEO CABLE  
(100FT RUN LENGTH MAX WITHOUT BUFFER)

INSTALLER SUPPLIED VIDEO CABLE SHALL BE RATED RG6



NETWORK CABLE FOR PoE DEVICES (IEEE802.3af)  
8 CONDUCTOR T568B, ETHERNET, DOUBLE SHIELDED  
FLIR PN 308-0163-25 OR EQUIVALENT  
NOTE: TO MAINTAIN IEC 60945 EMI COMPLIANCE, USE OF DOUBLE SHIELDED CABLE REQUIRED.

DISPLAY



PELCO INTERFACE

NMEA INTERFACE

TOP LEVEL ASSEMBLY  
M400

METRIC

PROPRIETARY - FLIR SYSTEMS, INC.

INTERCONNECT DIAGRAM  
MULTIPLE JCU - POE SWITCH



FLIR Systems, Inc.  
70 Castilian Drive  
Goleta, CA 93117

SIZE D

CAGE 064Y2

PIECE PART 432-0012-XX-41 REV 110

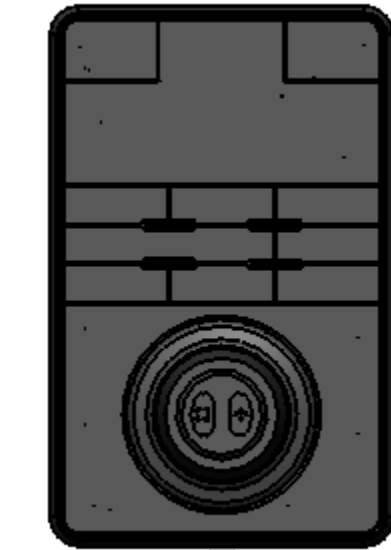
SCALE 1:1 PRINTED: 10/21/2015 SHEET 6 OF 10  
SOLIDWORKS MODEL: 432-0012-XX-YY TOP LEVEL ASSEMBLY, MARLIN MODEL REVISION: 110

NOTE: CABLE CONFIGURATIONS SHOWN ARE FOR SHORT CABLES INCLUDED WITH EACH UNIT. LONG ACCESSORY CABLES ARE AVAILABLE WHERE NO IN-LINE COUPLING IS NECESSARY. FOR MORE INFORMATION, SEE SHEET 9.

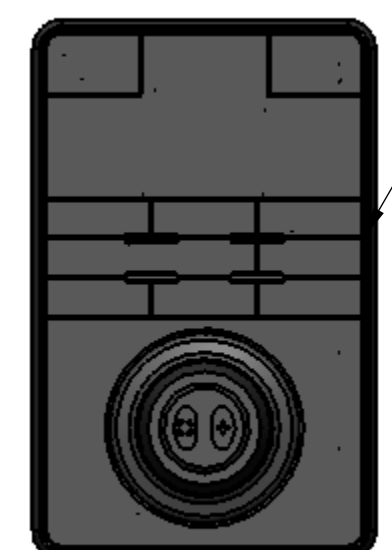
M400



JCU



JCU



FLIR PN 500-0398-10

POWER CABLE  
12AWG TINNED STRANDED WIRE  
RED WIRE: +12-24 VDC (4.4-2.2 AMP NOM)  
BLK WIRE: DC RETURN  
DRAIN WIRE: EARTH GROUND

BUTT SPLICE OR INSTALLER SUPPLIED CONNECTOR

INSTALLER SUPPLIED POWER CABLE  
GAUGE OF WIRE TO BE APPROPRIATE FOR SUPPLY VOLTAGE AND LENGTH OF CABLE RUN TO ENSURE ADEQUATE CURRENT CARRYING CAPABILITY.

CONNECTOR  
RJ45 WATERPROOF ENCLOSURE  
FLIR PN 4115028

HD/SDI CABLE - RG6 BNC

ISOLATION TRANSFORMER  
BNC FEMALE TO FEMALE

COUPLER  
F-TYPE FEMALE TO FEMALE

ANALOG VIDEO CABLE  
RG179 F-TYPE

PELCO INTERFACE

NMEA INTERFACE

MANUFACTURER SPECIFIC ENVIRONMENTAL EXPOSURE RATINGS APPLY

NETWORK SWITCH, NON PoE  
INSTALLER SUPPLIED

POE INJECTOR POWER REQUIREMENT  
+9-36VDC (12V/1.85A - 24V/0.90A)

POE INJECTOR  
IP20, RJ45 FEMALE  
FLIR PN 4113746

DISPLAY

HD/SDI CABLE  
(100FT RUN LENGTH MAX WITHOUT BUFFER)

ANALOG VIDEO CABLE  
(100FT RUN LENGTH MAX WITHOUT BUFFER)

INSTALLER SUPPLIED VIDEO CABLE  
SHALL BE RATED RG6

NETWORK CABLE FOR PoE DEVICES (IEEE802.3df)  
8 CONDUCTOR T568B, ETHERNET, DOUBLE SHIELDED  
FLIR PN 308-0163-25 OR EQUIVALENT  
NOTE: TO MAINTAIN IEC 60945 EMI COMPLIANCE,  
USE OF DOUBLE SHIELDED CABLE REQUIRED.

TOP LEVEL ASSEMBLY  
M400

METRIC

PROPRIETARY - FLIR SYSTEMS, INC.

INTERCONNECT DIAGRAM  
MULTIPLE JCU - POE SWITCH



FLIR Systems, Inc.  
70 Castilian Drive  
Goleta, CA 93117

SIZE  
D

CAGE  
064Y2

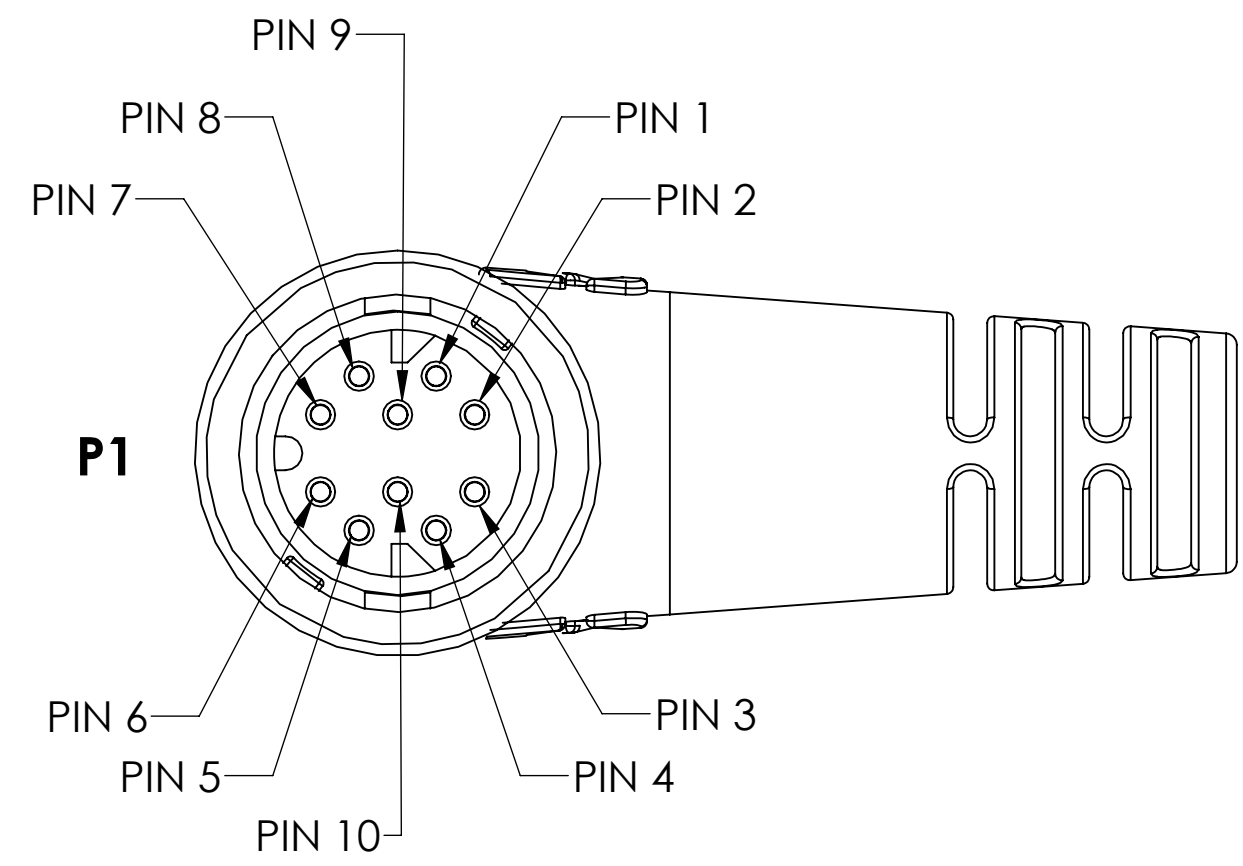
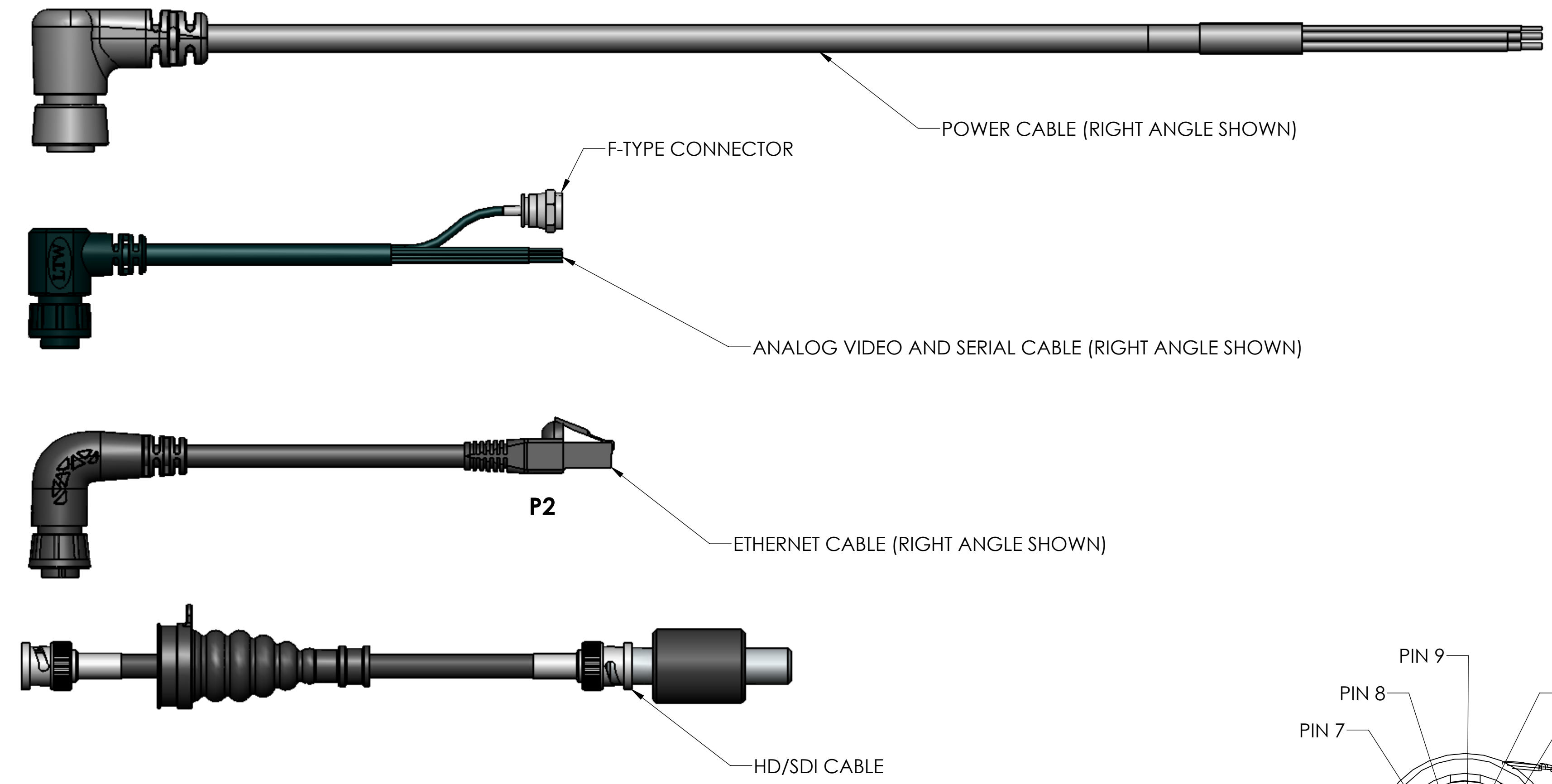
PIECE PART  
432-0012-XX-41 REV 110

SCALE 1:1 PRINTED: 10/21/2015 SHEET 7 OF 10

SOLIDWORKS MODEL: 432-0012-XX-YY TOP LEVEL ASSEMBLY, MARLIN MODEL REVISION: 110

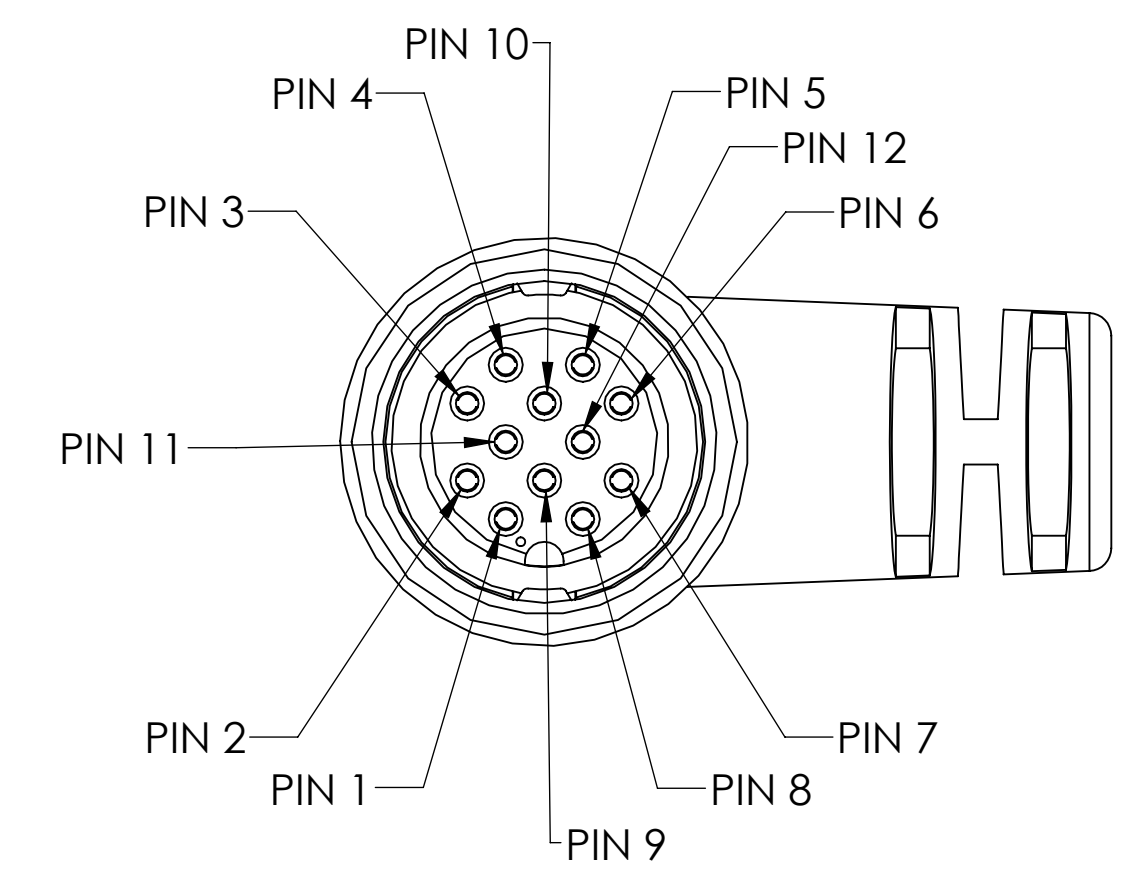


CABLE OPTIONS		
	FLIR PART NUMBER	CABLE DESCRIPTION
INCLUDED WITH EACH M400 UNIT	308-0261-01-00	CABLE - ETHERNET RA TO RJ45, 1M
	308-0263-01-00	POWER CABLE - RA 12 AWG, 1M
	308-0265-01-00	CABLE - AV AND SERIAL RA, 1M
	308-0267-00	CABLE - HD/SDI, 1M
AVAILABLE AS ACCESSORIES	308-0260-01-00	CABLE - ETHERNET TO RJ45, 1M
	308-0262-01-00	POWER CABLE - 12 AWG, 1M
	308-0264-01-00	CABLE - AV AND SERIAL, 1M
	4141864	CABLE - HD/SDI, 100FT
	308-0251-30-00	CABLE - ETHERNET TO RJ45, 100ft, LSZH
	308-0252-30-00	CABLE - ETHERNET RA TO RJ45, 100ft, LSZH
	308-0253-30-00	CABLE - POWER, 12 AWG, 100ft, LSZH
	308-0254-30-00	CABLE - POWER, RA, 12 AWG, 100ft, LSZH
308-0255-30-00	CABLE - AV AND SERIAL, 100ft, LSZH	
308-0256-30-00	CABLE - AV AND SERIAL RA, 100ft, LSZH	



ETHERNET CABLE CONNECTOR PINOUT

RJ45 CONNECTOR (P2)  
PINOUT IN ACCORDANCE  
WITH 802.3af STANDARD B



A/V AND SERIAL CABLE CONNECTOR PINOUT

ANALOG VIDEO AND SERIAL CABLE PINOUT TABLE		
WIRE COLOR	NAME	PIN NUMBER
GREEN	NMEA TX-P	1
GREEN/WHITE	NMEA TX-N	2
RG179	ANALOG VIDEO OUT	3
NATURAL	ANALOG VIDEO RETURN	4
BROWN/WHITE	PELCO RX-N	5
BROWN	PELCO RX-P	6
BLUE	PELCO TX-P	7
ORANGE/WHITE	NMEA RX-N	8
ORANGE	NMEA RX-P	9
DRAIN	PELCO SHIELD	10
DRAIN	NMEA SHIELD	11
BLUE/WHITE	PELCO TX-N	12

ETHERNET CABLE PINOUT TABLE			
P1	WIRE COLOR	NAME	P2
1	ORANGE/WHITE	TXRX A+	1
2	ORANGE	TXRX A-	2
3	BLUE	TXRX C+ DC+	4
4	BLUE/WHITE	TXRX C- DC+	5
5	GREEN/WHITE	TXRX B+	3
6	GREEN	TXRX B-	6
7	BROWN/WHITE	TXRX D+ DC-	7
8	BROWN	TXRX D- DC-	8
9	NA	NA	
10	DRAIN	DRAIN	SHELL

**IMPORTANT: CHASSIS GROUND WIRE TO BE TIED SECURELY TO THE NEGATIVE BATTERY TERMINAL**

POWER CABLE PINOUT TABLE	
WIRE COLOR	SIGNAL NAME
RED	BATT +
BLACK	BATT -
DRAIN	CHASSIS GROUND

**TOP LEVEL ASSEMBLY M400** METRIC

PROPRIETARY - FLIR SYSTEMS, INC.

**FLIR** FLIR Systems, Inc. 70 Castilian Drive, Goleta, CA 93117

SIZE D CAGE 064Y2 PIECE PART 432-0012-XX-41 REV 110

SCALE 1:5 PRINTED: 10/21/2015 SHEET 8 OF 10

SOLIDWORKS MODEL: 432-0012-XX-YY TOP LEVEL ASSEMBLY, MARLIN MODEL REVISION: 110



D

C

B

A

D

C

B

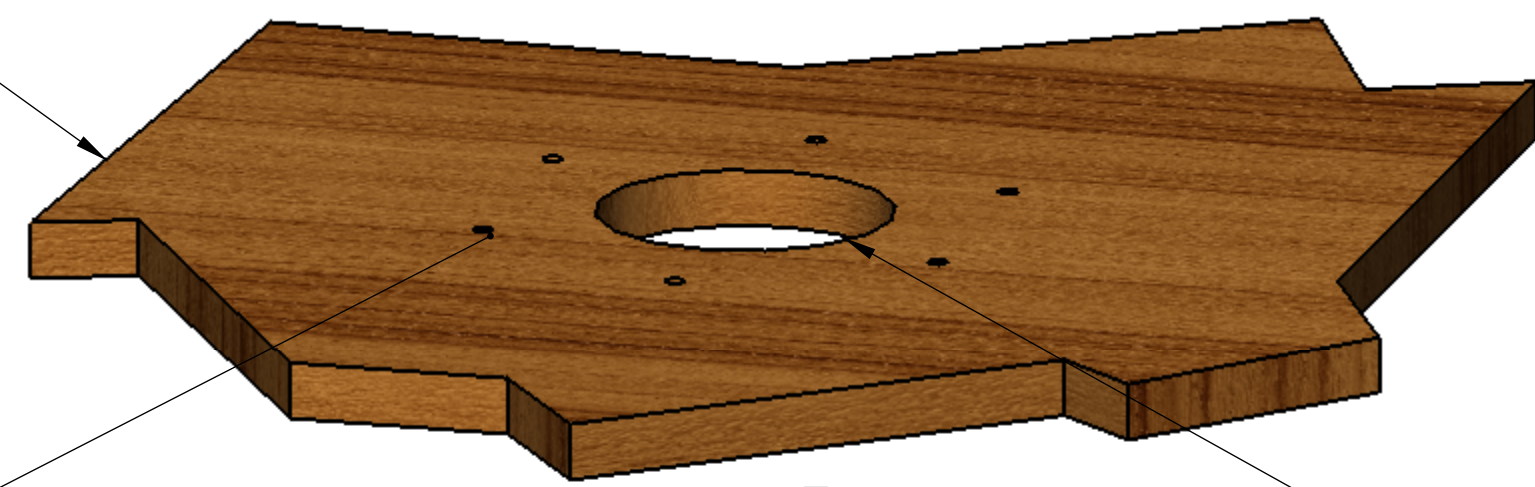
A

M400 WEIGHT: <12.25 kg (27lb)

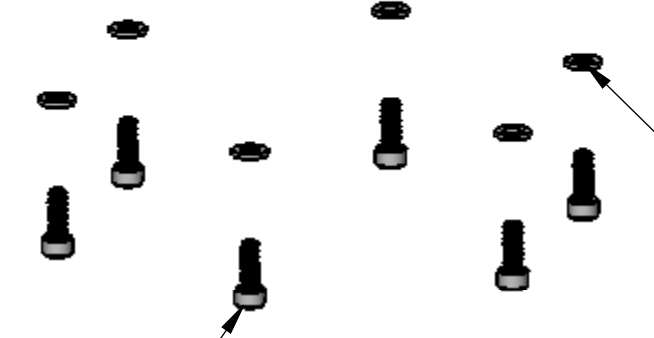


AS568-436 EPDM O-RING  
[5.85in ID x .275in DIA]  
[49mm ID x 7mm DIA]  
AS568-444 EPDM O-RING  
[7.72in ID x .275in DIA]  
[96mm ID x 7mm DIA]

CUSTOMER DECKING, OR  
OTHER STRUCTURE.  
MAX DECK THICKNESS FOR  
RIGHT ANGLED CABLES WITHOUT  
TOP DOWN RISER: 10mm



HOLES, MOUNTING  
6.4 mm DIAMETER  
6 PLACES



CABLE PORT  
FOR DIMENSIONS SEE  
SHEETS 2 AND 3

WASHER, OPTIONAL  
M6  
316 STAINLESS STEEL

SOCKET HEAD CAP SCREW WITH LOCKING PATCH  
M6 X 1.0  
LENGTH: 6mm + THICKNESS OF CUSTOMER DECKING  
316 STAINLESS STEEL  
6 PLACES  
APPLY CORROSION INHIBITOR (USS TEF-GEL)  
TORQUE TO 9.5 N-m (7 lb-ft)

WARNING 5

**HIDDEN CABLE MOUNTING SCHEME:**

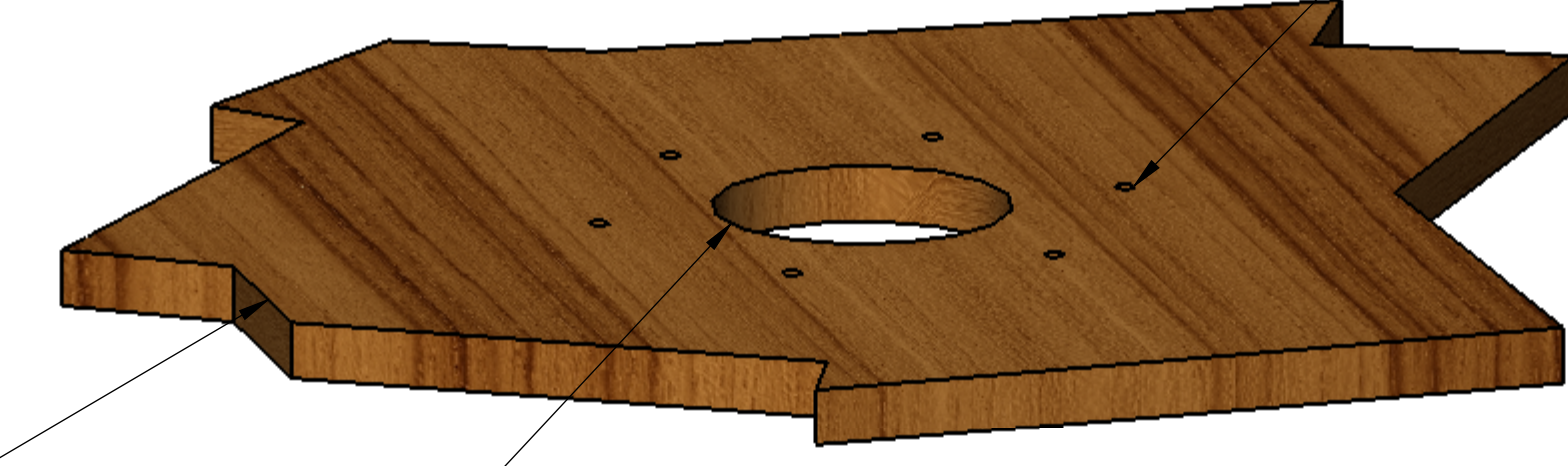
MOUNTING DIRECTLY THROUGH CUSTOMER DECKING, OR OTHER SURFACES  
STRUCTURE OPPOSITE M400 TO BE A SEALED ENCLOSURE AND A DRY SPACE  
CAMERA SHOWN IN BALL UP CONFIGURATION

SOCKET HEAD CAP SCREW WITH LOCKING PATCH  
M6 X 1.0  
LENGTH: 6mm + THICKNESS OF CUSTOMER DECKING  
316 STAINLESS STEEL  
6 PLACES  
APPLY CORROSION INHIBITOR (USS TEF-GEL)  
TORQUE TO 9.5 N-m (7 lb-ft)

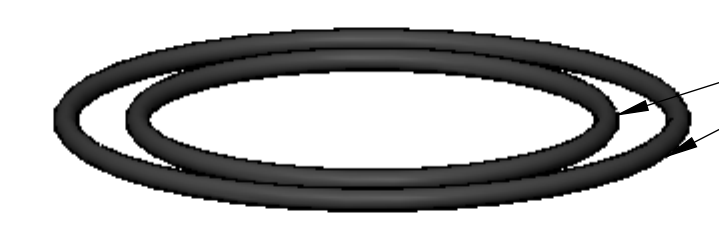
WARNING 5

WASHER, OPTIONAL  
M6  
316 STAINLESS STEEL

HOLES, MOUNTING  
6.4 mm DIAMETER  
6 PLACES



CUSTOMER DECKING, OR  
OTHER STRUCTURE.  
MAX DECK THICKNESS FOR  
RIGHT ANGLED CABLES WITHOUT  
TOP DOWN RISER: 10mm



AS568-436 EPDM O-RING  
[5.85in ID x .275in DIA]  
[49mm ID x 7mm DIA]  
AS568-444 EPDM O-RING  
[7.72in ID x .275in DIA]  
[96mm ID x 7mm DIA]

CABLE PORT  
FOR DIMENSIONS SEE  
SHEETS 2 AND 3



M400 WEIGHT: <12.25 kg (27lb)

**HIDDEN CABLE MOUNTING SCHEME:**

MOUNTING DIRECTLY THROUGH CUSTOMER STRUCTURE.  
ACTUAL STRUCTURES MAY VARY.  
STRUCTURE OPPOSITE M400 TO BE A SEALED ENCLOSURE  
AND A DRY SPACE  
CAMERA SHOWN IN BALL DOWN CONFIGURATION

**TOP LEVEL ASSEMBLY  
M400**

METRIC

PROPRIETARY - FLIR SYSTEMS, INC.



FLIR Systems, Inc.  
70 Castilian Drive  
Goleta, CA 93117

SIZE D  
CAGE 064Y2

PIECE PART 432-0012-XX-41 REV 110

SCALE 1:5 PRINTED: 10/21/2015 SHEET 9 OF 10  
SOLIDWORKS MODEL: 432-0012-XX-YY TOP LEVEL ASSEMBLY, MARLIN  
MODEL REVISION: 110



D

C

B

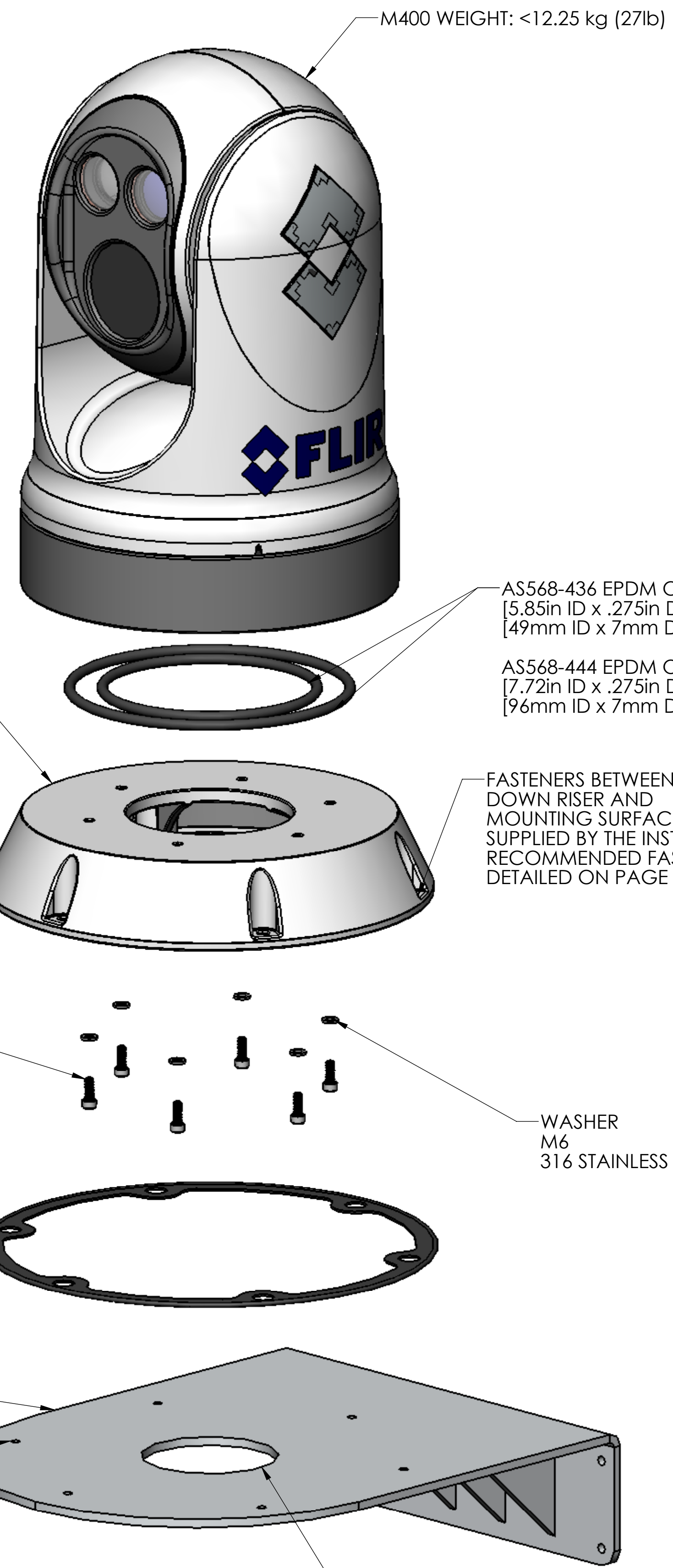
A

D

C

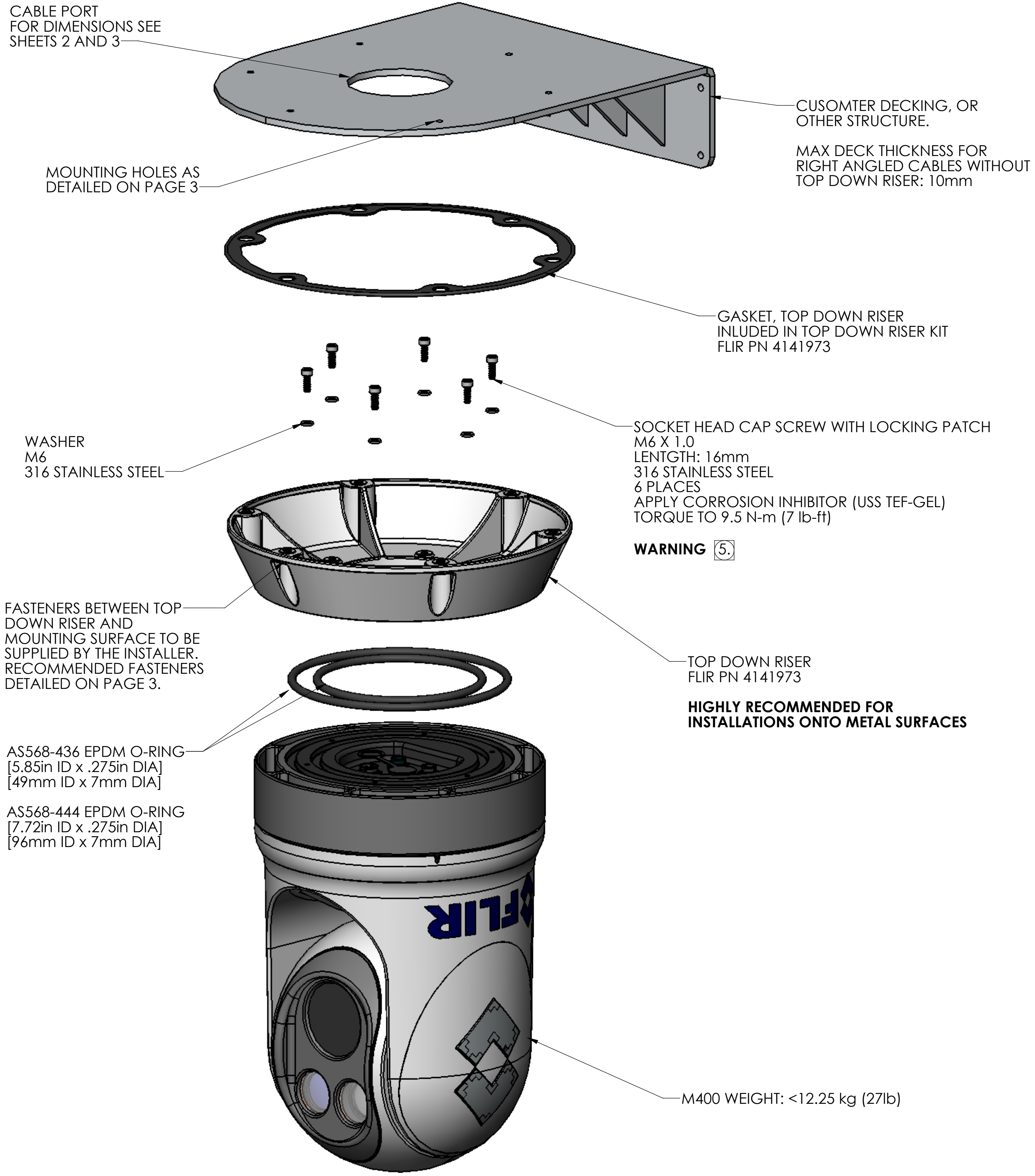
B

A



**EXPOSED CABLE MOUNTING SCHEME:**

CUSTOMER SUPPLIED MOUNTING BRACKET/SURFACE BALL UP CONFIGURATION SHOWN



**EXPOSED CABLE MOUNTING SCHEME:**

CUSTOMER SUPPLIED MOUNTING BRACKET/SURFACE BALL DOWN CONFIGURATION SHOWN

**TOP LEVEL ASSEMBLY M400** METRIC

PROPRIETARY - FLIR SYSTEMS, INC.

	FLIR Systems, Inc. 70 Castilian Drive Goleta, CA 93117	SIZE D	CAGE 064Y2	PIECE PART 432-0012-XX-41	REV 110
	SCALE 1:5		PRINTED: 10/21/2015		SHEET 10 OF 10